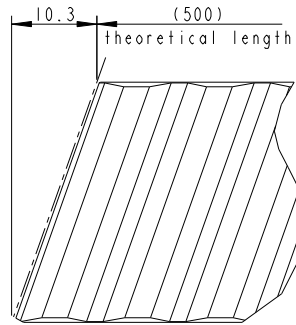


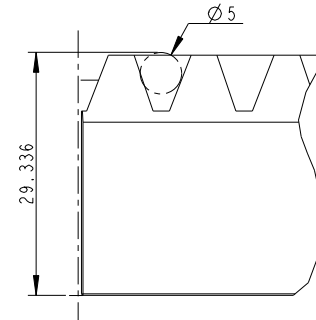


APEX DYNAMICS, INC.

Ordering code	036CR050C10	
Module	3	
Number of Teeth	50	
Pressure angle	20°	
Helix angle	19°31'42"RH	
Quality	06C	
Total Pitch Error (um)	GTf	32



SCALE 5:1



SCALE 5:1

