



Technical data

UCFC215

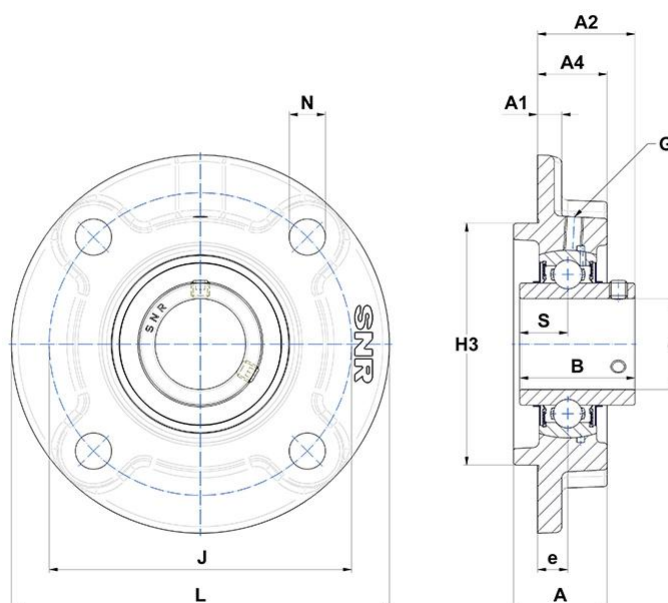
Bearing units

Grey cast housing, radial insert ball bearing with socket set screws, seal with slinger

KIT CONTENT

UC215G2, FC215

VISUAL (S)



PRODUCT DEFINITION

Brand	SNR
A - Housing height	55 mm
A1 - Housing foot height / flange height	17 mm
A2 - Total height from mounting surface	62,5 mm
A4 - Housing height from mounting surface	39 mm
B - Width of Inner Ring	77,8 mm

PRODUCT DEFINITION

d - Shaft diameter	75 mm
e - Distance mounting surface to bearing center	18 mm
G - Grease fitting	M10x1
H3 - Centering dia	160 mm
J - Mounting holes distance	184 mm
L - Housing width / diameter	220 mm
N - Mounting hole dimension	19 mm
S - Distance front side/bearing centre	33,3 mm

PRODUCT PERFORMANCE

C - Dynamic load rating	66 kN
C0 - Static load rating	49,5 kN
Operating temperature min.	-20 °C
Operating temperature max.	100 °C

OTHER FEATURES

Mass	7,08 kg
Recommended tightening torque for set screw	33 N-m