



Technical data

UCFC.212

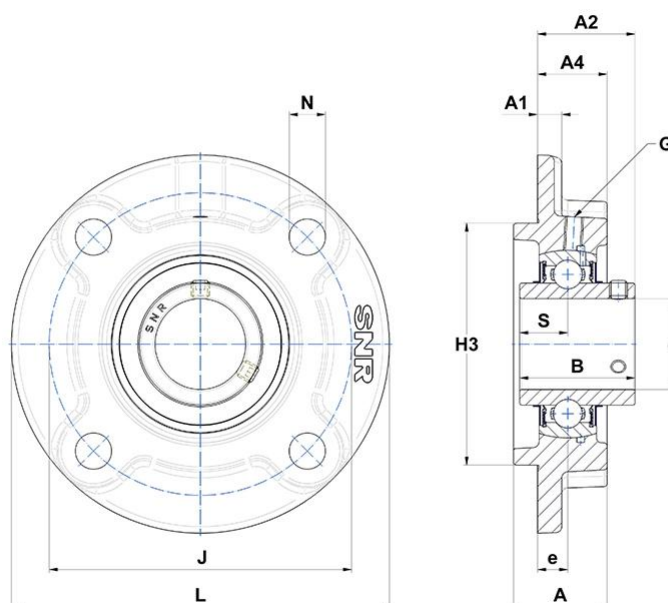
Bearing units

Grey cast housing, radial insert ball bearing with socket set screws, seal with slinger

KIT CONTENT

UC212G2, FC212

VISUAL (S)



PRODUCT DEFINITION

Brand	SNR
A - Housing height	48 mm
A1 - Housing foot height / flange height	15 mm
A2 - Total height from mounting surface	56,7 mm
A4 - Housing height from mounting surface	36 mm
B - Width of Inner Ring	65,1 mm

PRODUCT DEFINITION

d - Shaft diameter	60 mm
e - Distance mounting surface to bearing center	17 mm
G - Grease fitting	M6x1
H3 - Centering dia	135 mm
J - Mounting holes distance	160 mm
L - Housing width / diameter	195 mm
N - Mounting hole dimension	19 mm
S - Distance front side/bearing centre	25,4 mm

PRODUCT PERFORMANCE

C - Dynamic load rating	52,5 kN
C0 - Static load rating	32,8 kN
Operating temperature min.	-20 °C
Operating temperature max.	100 °C

OTHER FEATURES

Mass	4,92 kg
Recommended tightening torque for set screw	22 N-m