



## Technical data

### UCFC.208

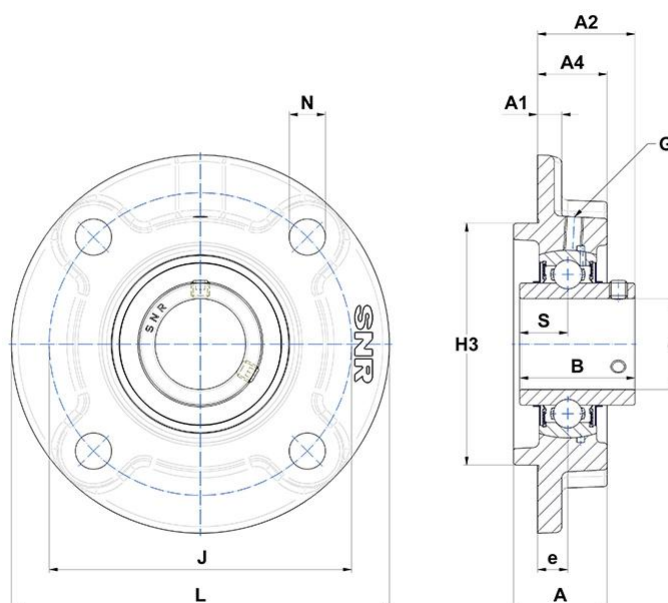
Bearing units

Grey cast housing, radial insert ball bearing with socket set screws, seal with slinger

## KIT CONTENT

UC.208.G2, FC208

## VISUAL (S)



## PRODUCT DEFINITION

<b>Brand</b>	SNR
<b>A - Housing height</b>	36 mm
<b>A1 - Housing foot height / flange height</b>	9 mm
<b>A2 - Total height from mounting surface</b>	41,2 mm
<b>A4 - Housing height from mounting surface</b>	26 mm
<b>B - Width of Inner Ring</b>	49,2 mm

### PRODUCT DEFINITION

<b>d - Shaft diameter</b>	40 mm
<b>e - Distance mounting surface to bearing center</b>	11 mm
<b>G - Grease fitting</b>	M6x1
<b>H3 - Centering dia</b>	100 mm
<b>J - Mounting holes distance</b>	120 mm
<b>L - Housing width / diameter</b>	145 mm
<b>N - Mounting hole dimension</b>	14 mm
<b>S - Distance front side/bearing centre</b>	19 mm

### PRODUCT PERFORMANCE

<b>C - Dynamic load rating</b>	29,6 kN
<b>C0 - Static load rating</b>	18,2 kN
<b>Operating temperature min.</b>	-20 °C
<b>Operating temperature max.</b>	100 °C

### OTHER FEATURES

<b>Mass</b>	1,99 kg
<b>Recommended tightening torque for set screw</b>	11.5 N-m