



Technical data

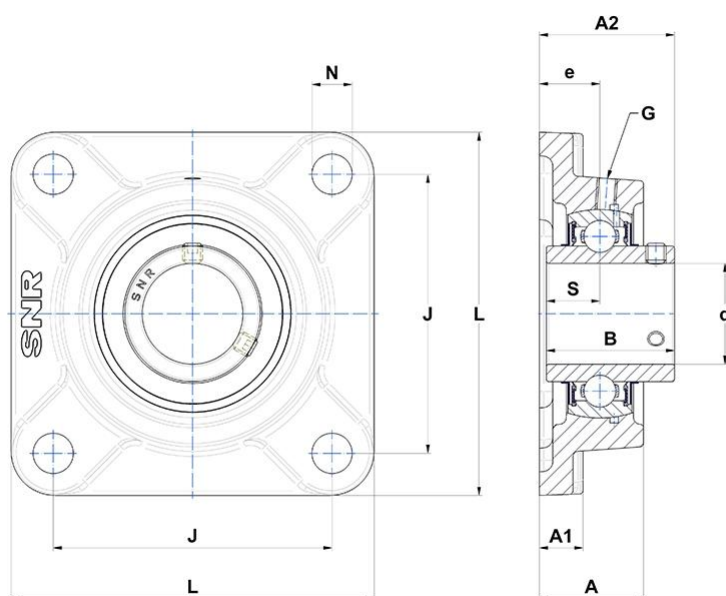
UCF217
Bearing units

Grey cast housing, radial insert ball bearing with socket set screws, seal with slinger

KIT CONTENT

UC217G2, F217

VISUAL (S)



PRODUCT DEFINITION

Brand	SNR
A - Housing height	63 mm
A1 - Housing foot height / flange height	24 mm
A2 - Total height from mounting surface	87,6 mm
B - Width of Inner Ring	85,7 mm
d - Shaft diameter	85 mm

PRODUCT DEFINITION

e - Distance mounting surface to bearing center	36 mm
G - Grease fitting	M10x1
J - Mounting holes distance	175 mm
L - Housing width / diameter	220 mm
N - Mounting hole dimension	23 mm
S - Distance front side/bearing centre	34,1 mm

PRODUCT PERFORMANCE

C - Dynamic load rating	83,2 kN
C0 - Static load rating	63,8 kN
Operating temperature min.	-20 °C
Operating temperature max.	100 °C

OTHER FEATURES

Mass	8,66 kg
Recommended tightening torque for set screw	33 N-m