



## Technical data

### UCF.208

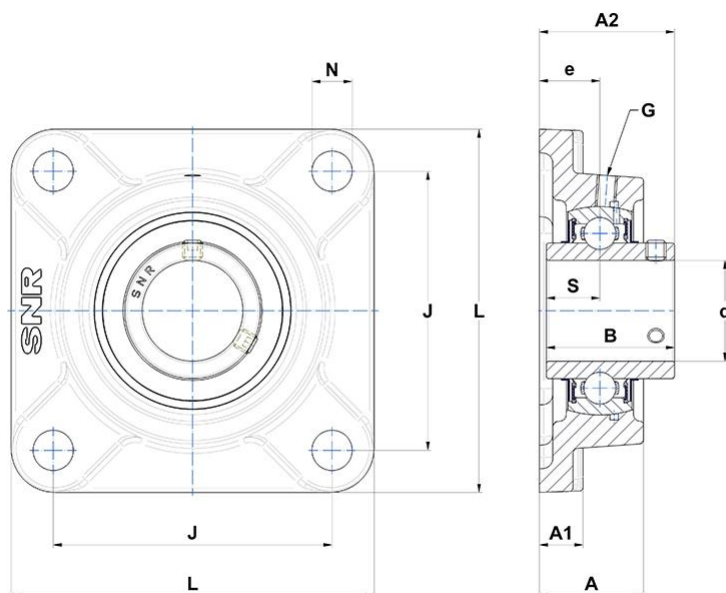
Bearing units

Grey cast housing, radial insert ball bearing with socket set screws, seal with slinger

### KIT CONTENT

UC.208.G2, F208

### VISUAL (S)



### PRODUCT DEFINITION

<b>Brand</b>	SNR
<b>A - Housing height</b>	36 mm
<b>A1 - Housing foot height / flange height</b>	15 mm
<b>A2 - Total height from mounting surface</b>	51,2 mm
<b>B - Width of Inner Ring</b>	49,2 mm
<b>d - Shaft diameter</b>	40 mm

### PRODUCT DEFINITION

<b>e - Distance mounting surface to bearing center</b>	21 mm
<b>G - Grease fitting</b>	M6x1
<b>J - Mounting holes distance</b>	102 mm
<b>L - Housing width / diameter</b>	130 mm
<b>N - Mounting hole dimension</b>	16 mm
<b>S - Distance front side/bearing centre</b>	19 mm

### PRODUCT PERFORMANCE

<b>C - Dynamic load rating</b>	29,6 kN
<b>C0 - Static load rating</b>	18,2 kN
<b>Operating temperature min.</b>	-20 °C
<b>Operating temperature max.</b>	100 °C

### OTHER FEATURES

<b>Mass</b>	1,89 kg
<b>Recommended tightening torque for set screw</b>	11.5 N-m