



Technical data

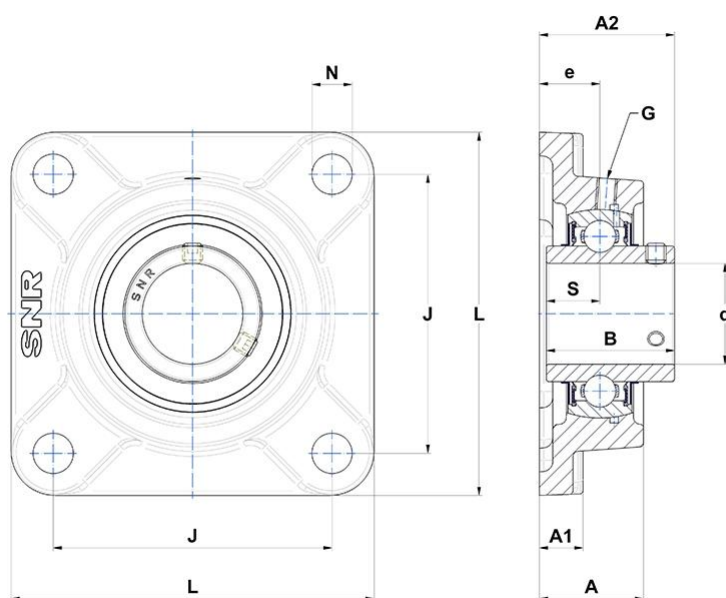
UCF204
Bearing units

Grey cast housing, radial insert ball bearing with socket set screws, seal with slinger

KIT CONTENT

UC204G2, F204

VISUAL (S)



PRODUCT DEFINITION

Brand	SNR
A - Housing height	25,5 mm
A1 - Housing foot height / flange height	11 mm
A2 - Total height from mounting surface	33,3 mm
B - Width of Inner Ring	31 mm
d - Shaft diameter	20 mm

PRODUCT DEFINITION

e - Distance mounting surface to bearing center	15 mm
G - Grease fitting	M6x1
J - Mounting holes distance	64 mm
L - Housing width / diameter	86 mm
N - Mounting hole dimension	12 mm
S - Distance front side/bearing centre	12,7 mm

PRODUCT PERFORMANCE

C - Dynamic load rating	12,8 kN
C0 - Static load rating	6,65 kN
Operating temperature min.	-20 °C
Operating temperature max.	100 °C

OTHER FEATURES

Mass	0,59 kg
Recommended tightening torque for set screw	5.5 N-m