



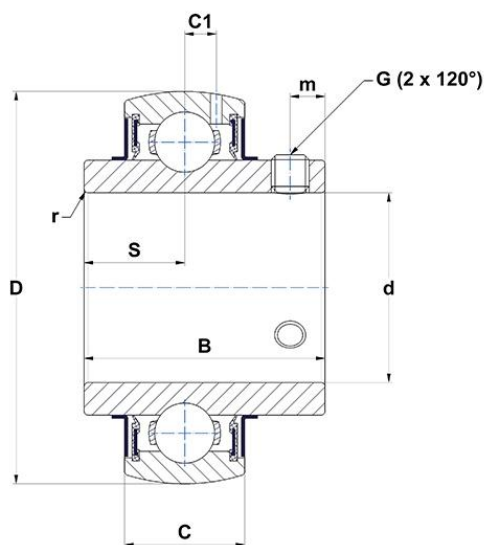
## Technical data

### UC212G2

Insert bearings

Spherical outer diameter, fixing by socket set screw, seal with slinger

#### VISUAL (S)



#### PRODUCT DEFINITION

<b>Brand</b>	SNR
<b>B - Width of Inner Ring</b>	65,1 mm
<b>C - Width of Outer Ring</b>	27 mm
<b>C1 - Distance center of OR to center of lubrication zone</b>	8,2 mm
<b>d - Shaft diameter</b>	60 mm
<b>D - Outer diameter of OR</b>	110 mm
<b>G - Set screw size</b>	M10x1,25
<b>m - Distance to set screw</b>	10,5 mm

### PRODUCT DEFINITION

<b>r - Radius Inner Ring</b>	1.1
<b>S - Distance front side/bearing centre</b>	25,4 mm
<b>f0 - Factor</b>	14.2
<b>SW - Wrench size</b>	5 mm

### PRODUCT PERFORMANCE

<b>C - Dynamic load rating</b>	52,5 kN
<b>C0 - Static load rating</b>	32,8 kN
<b>Operating temperature min.</b>	-20 °C
<b>Operating temperature max.</b>	100 °C

### OTHER FEATURES

<b>Mass</b>	1,53 kg
<b>Recommended tightening torque for set screw</b>	22 N-m

### BEARING FREQUENCIES

<b>BPFO - Characteristic outer ring frequency (60 rpm)</b>	4.06617647058824 Hz
<b>BPFI - Characteristic inner ring frequency (60 rpm)</b>	5.93382352941176 Hz
<b>FTF - Characteristic cage frequency (60 rpm)</b>	0.406617647058824 Hz
<b>BSF - Characteristic rolling element frequency (60 rpm)</b>	5.16756600277906 Hz