



Technical data

MUCNFL206

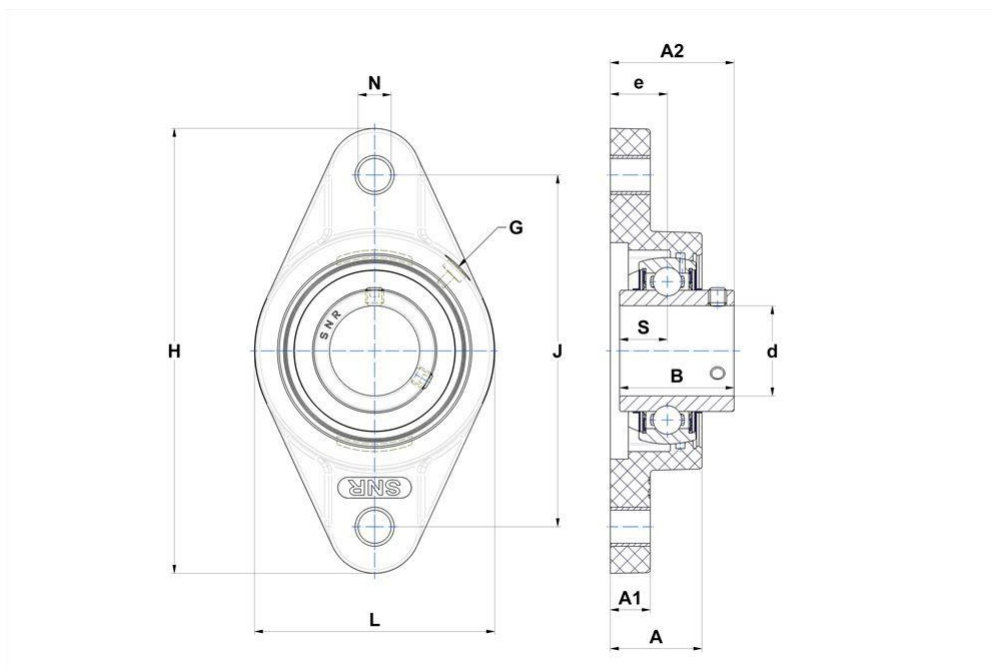
Bearing units

Thermoplastic housing, stainless steel insert ball bearing with socket set screws, seal with slinger, food grease

KIT CONTENT

MUC206FD, NFL206

VISUAL (S)



PRODUCT DEFINITION

Brand	SNR
A - Housing height	30,5 mm
A1 - Housing foot height / flange height	13,3 mm
A2 - Total height from mounting surface	41,2 mm
B - Width of Inner Ring	38,1 mm

PRODUCT DEFINITION

d - Shaft diameter	30 mm
e - Distance mounting surface to bearing center	19 mm
G - Grease fitting	1/4"-28
H - Housing length, width or diameter	148 mm
J - Mounting holes distance	117 mm
L - Housing width / diameter	80 mm
N - Mounting hole dimension	11 mm
S - Distance front side/bearing centre	15,9 mm

PRODUCT PERFORMANCE

C - Dynamic load rating	16,7 kN
C0 - Static load rating	9 kN
Operating temperature min.	-20 °C
Operating temperature max.	100 °C

OTHER FEATURES

Mass	0,45 kg
Recommended tightening torque for set screw	3.9 N-m