



Technical data

ESFE.208

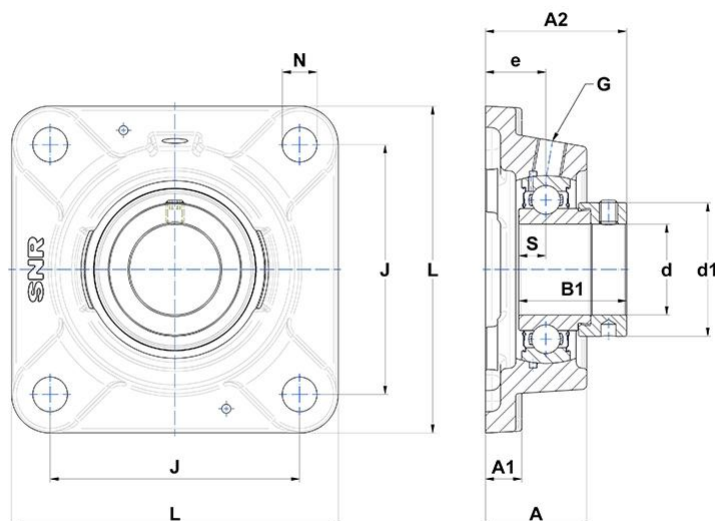
Bearing units

Grey cast housing, radial insert ball bearing with eccentric locking collar, single lip seal

KIT CONTENT

ES.208.G2, FE208

VISUAL (S)



PRODUCT DEFINITION

Brand	SNR
A - Housing height	39,5 mm
A1 - Housing foot height / flange height	13 mm
A2 - Total height from mounting surface	56,7 mm
B - Width of Inner Ring	30,2 mm
B1 - Overall width Inner Ring	43,7 mm

PRODUCT DEFINITION

d - Shaft diameter	40 mm
d1 - Outer dia of eccent. Lock. collar / nut of adapter sleeve	58 mm
e - Distance mounting surface to bearing center	24 mm
G - Grease fitting	R1/8"
J - Mounting holes distance	101,5 mm
L - Housing width / diameter	130 mm
N - Mounting hole dimension	14 mm
S - Distance front side/bearing centre	11 mm

PRODUCT PERFORMANCE

C - Dynamic load rating	29,6 kN
C0 - Static load rating	18,2 kN
Operating temperature min.	-20 °C
Operating temperature max.	100 °C

OTHER FEATURES

Mass	2,06 kg
Recommended tightening torque for set screw	11.5 N-m