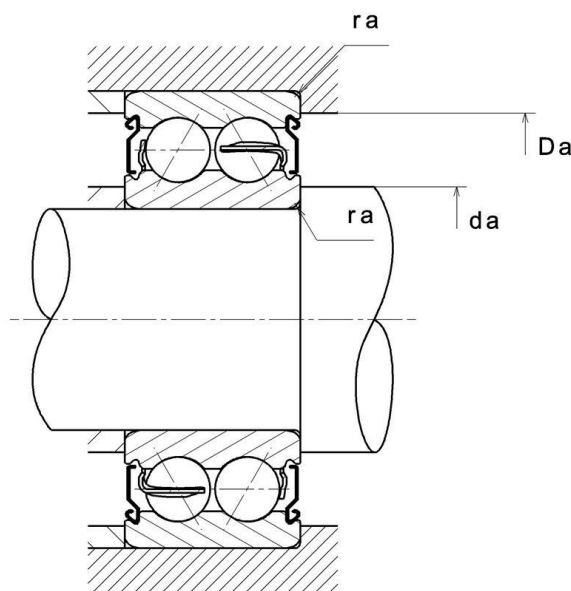
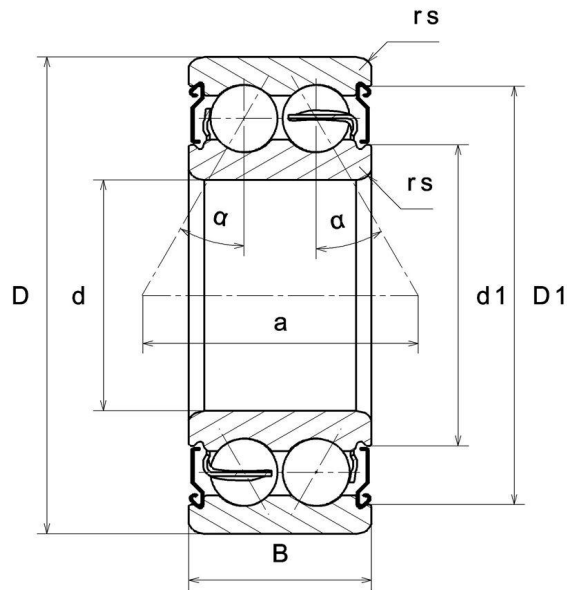


Technical data

5202SCZZ/2AS

Double row angular contact ball bearings

VISUAL (S)



5202SCZZ/2AS

Double row angular contact ball bearings

PRODUCT DEFINITION

Brand	NTN
d - Internal diameter	15 mm
D - External diameter	35 mm
B - Bearing/Inner ring width	15,9 mm
a - Charge load application point	16,3 mm
- Contact angle	25 °
rs - Min fillet radius	0,6 mm
Radial clearance class	CN
Precision class	P0
Mass	0,067 kg

PRODUCT PERFORMANCE

C - Dynamic load	8,5 kN
C0 - Static load	5,3 kN
Cu - Fatigue limit load	0,31 kN
Nlim - Oil lubrication limit speed	17000 tr/min
Nlim - Grease lubrication limit speed	13000 tr/min
Tmin - Min operating temperature	-25 °C
Tmax - Max operating temperature	120 °C

ABUTMENT

da min - Min shoulder diameter IR	19 mm
da max - Max shoulder diameter IR	0 mm
Da max - Max shoulder diameter OR	31 mm
ra max - Max shaft & housing fillet radius	0,6 mm

5202SCZZ/2AS

Double row angular contact ball bearings