



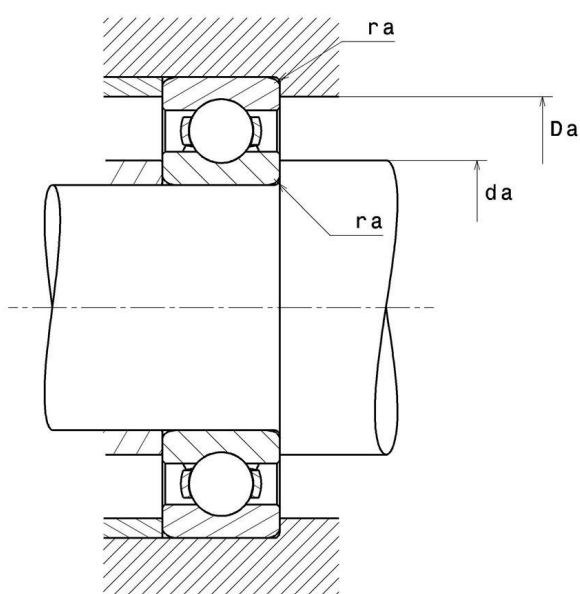
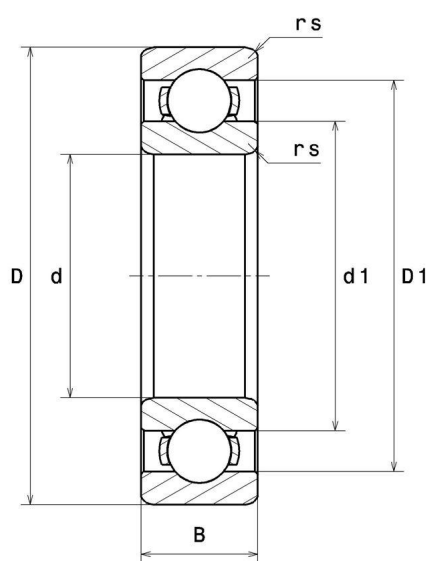
Technical data

16012

Single row deep groove ball bearings

Deep groove ball bearing, radial contact, pressed steel cage, open

VISUAL (S)



16012

Single row deep groove ball bearings

PRODUCT DEFINITION

Brand	NTN
d - Internal diameter	60 mm
D - External diameter	95 mm
B - Bearing/Inner ring width	11 mm
rs - Min fillet radius	0,6 mm
Radial clearance class	CN
Mass	0,283 kg

PRODUCT PERFORMANCE

C - Dynamic load	22,1 kN
C0 - Static load	17,5 kN
Cu - Fatigue limit load	1,2 kN
f0 - Coefficient	16.3
Nlim - Oil lubrication limit speed	8300 tr/min
Nlim - Grease lubrication limit speed	7000 tr/min
Tmin - Min operating temperature	-40 °C
Tmax - Max operating temperature	120 °C

ABUTMENT

da min - Min shoulder diameter IR	64 mm
Da max - Max shoulder diameter OR	91 mm
ra max - Max shaft & housing fillet radius	0,6 mm

INDUSTRY CALCUL FACTORS

Equivalent dynamic radial load

$$P = X.F_r + Y.F_a$$

$\frac{f_0 F_a}{C_0}$	e	Fa / Fr ≤ e		Fa / Fr > e	
		X	Y	X	Y
0.172	0.19	1	0	0.56	2.3
0.345	0.22				1.99
0.689	0.26				1.71
1.03	0.28				1.55
1.38	0.3				1.45
2.07	0.34				1.31
3.45	0.38				1.15
5.17	0.42				1.04
6.89	0.44				1

Equivalent static radial load

$$P_0 = X_0.F_r + Y_0.F_a$$

X_0	Y_0
0.6	0.5

For single or DT bearing arrangement:

If $P_0 < F_r$, then use $P_0 = F_r$