



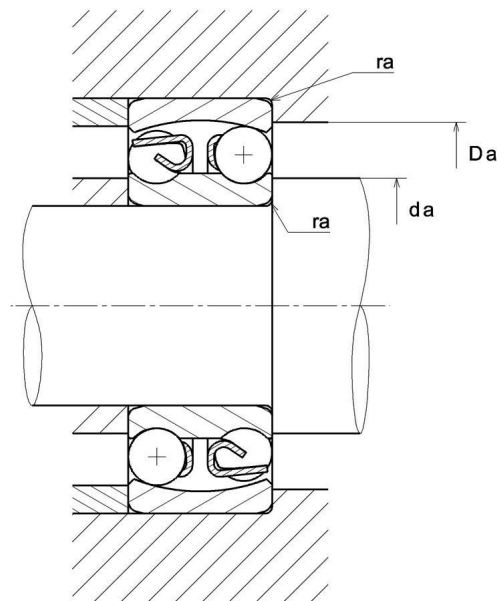
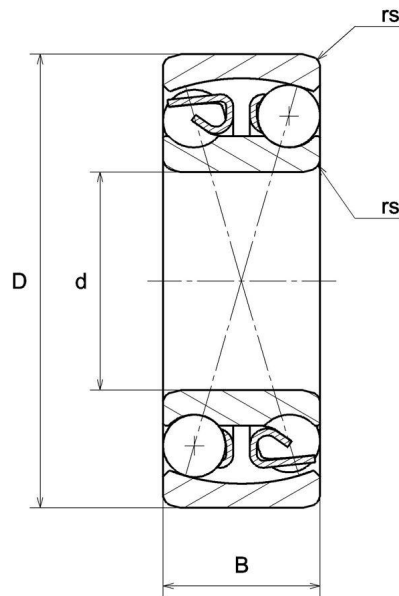
Technical data

1205S

Double-row self-aligning ball bearings

Self-aligning ball bearing, pressed steel cage, open

VISUAL (S)



1205S

Double-row self-aligning ball bearings

PRODUCT DEFINITION

Brand	NTN
d - Internal diameter	25 mm
D - External diameter	52 mm
B - Bearing/Inner ring width	15 mm
rs - Min fillet radius	1 mm
Radial clearance class	CN
Precision class	P0
Mass	0,14 kg

PRODUCT PERFORMANCE

C - Dynamic load	12,2 kN
C0 - Static load	3,3 kN
Cu - Fatigue limit load	0,13 kN
e - Coefficient	0.28
Y0 - Static axial load coefficient	2.4
Y1 - Lower axial load coefficient	2.3
Y2 - Upper axial load coefficient	3.5
Nlim - Oil lubrication limit speed	14000 tr/min
Nlim - Grease lubrication limit speed	12000 tr/min
Tmin - Min operating temperature	-20 °C
Tmax - Max operating temperature	120 °C

ABUTMENT

da min - Min shoulder diameter IR	30 mm
Da max - Max shoulder diameter OR	47 mm

1205S

Double-row self-aligning ball bearings

ABUTMENT

ra max - Max shaft & housing fillet radius

1 mm